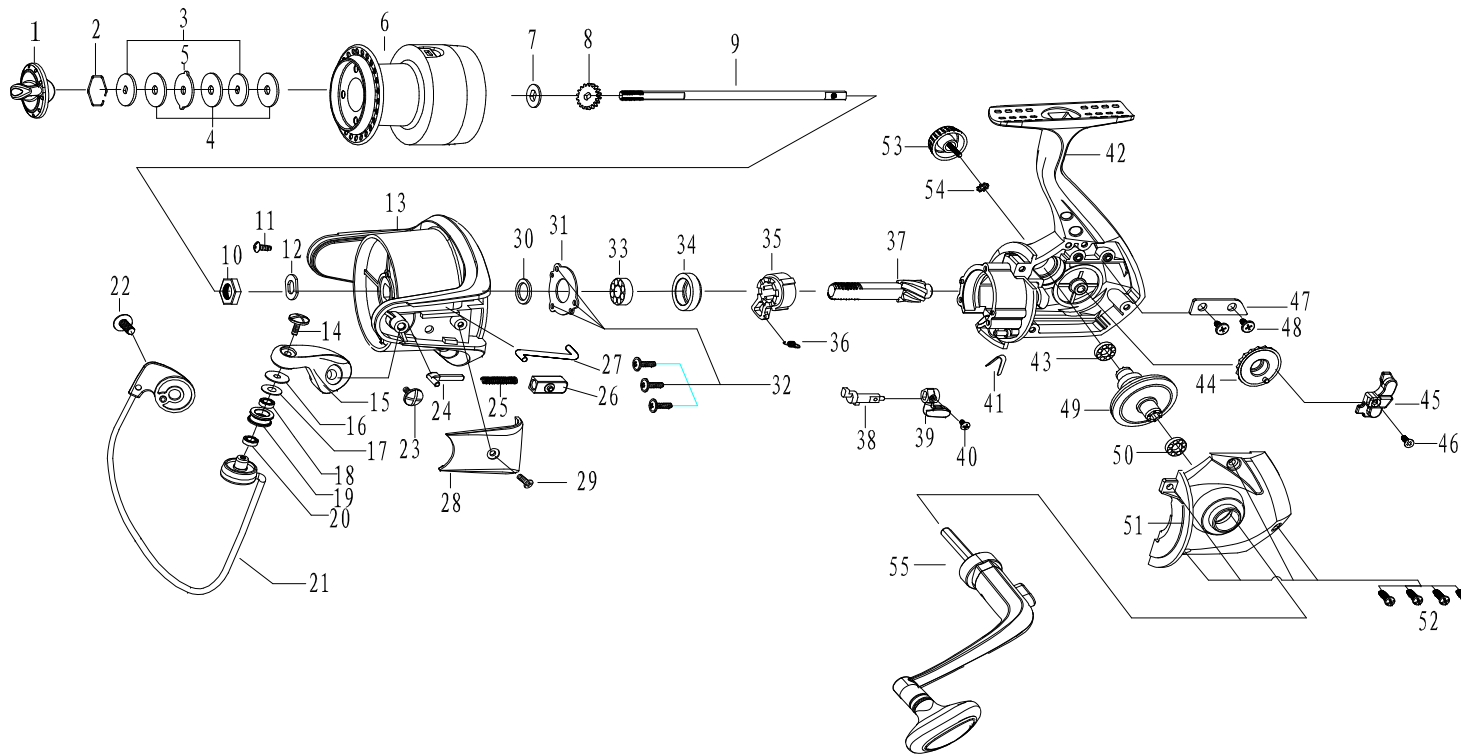


MITCHELL®

Model: PREMIUM PRO 7000
PREMIUM PRO 7000 01



ITEM	DESCRIPTION	SAP #	ITEM	DESCRIPTION	SAP #	ITEM	DESCRIPTION	SAP #	ITEM	DESCRIPTION	SAP #
1	DRAG KNOB ASSY	1401469	15	BAIL ARM	1401483	29	SCREW	1401497	43	BALL BEARING	1401511
2	RETAINER RING	1401470	16	WASHER	1401484	30	WASHER	1401498	44	O/S GEAR	1401512
3	KEY WASHER	1401471	17	LINE ROLLER WASHER	1401485	31	BALL BEARING RETAINER	1401499	45	SLIDER	1401513
4	DRAG WASHER	1401472	18	LINE ROLLER BEARING	1401486	32	SCREW	1401500	46	SCREW	1401514
5	EARED WASHER	1401473	19	LINE ROLLER	1401487	33	BALL BEARING	1401501	47	O/S SLIDE RETAINER	1401515
6	SPOOL SUB-ASSY	1401474	20	LINE ROLLER BUSHING	1401488	34	BALL BEARING HOLDER	1401502	48	SCREW	1401516
7	SPOOL CLICK RETAINER	1401475	21	BAIL ASSY	1401489	35	ONE WAY CLUTCH	1401503	49	DRIVE GEAR	1401517
8	CLICKER GEAR	1401476	22	SCREW	1401490	36	CLUTCH SPRING	1401504	50	BALL BEARING	1401518
9	MAIN SHAFT	1401477	23	SCREW	1401491	37	PINION GEAR	1401505	51	BODY COVER	1401519
10	ROTOR NUT	1401478	24	BAIL ARM GUIDE	1401492	38	IAR LEVER	1401506	52	SCREW	1401520
11	SCREW	1401479	25	BAIL TRIP SPRING	1401493	39	IAR SWITCH	1401507	53	HANDLE SCREW CAP	1401521
12	WASHER	1401480	26	TRIP PLUNGER	1401494	40	SCREW	1401508	54	WASHER	1401522
13	ROTOR	1401481	27	BAIL TRIP LEVER	1401495	41	ANTI-REVERSE SPRING	1401509	55	HANDLE ASSY	1401523
14	SCREW	1401482	28	ROTOR COVER	1401496	42	BODY ASSY	1401510			